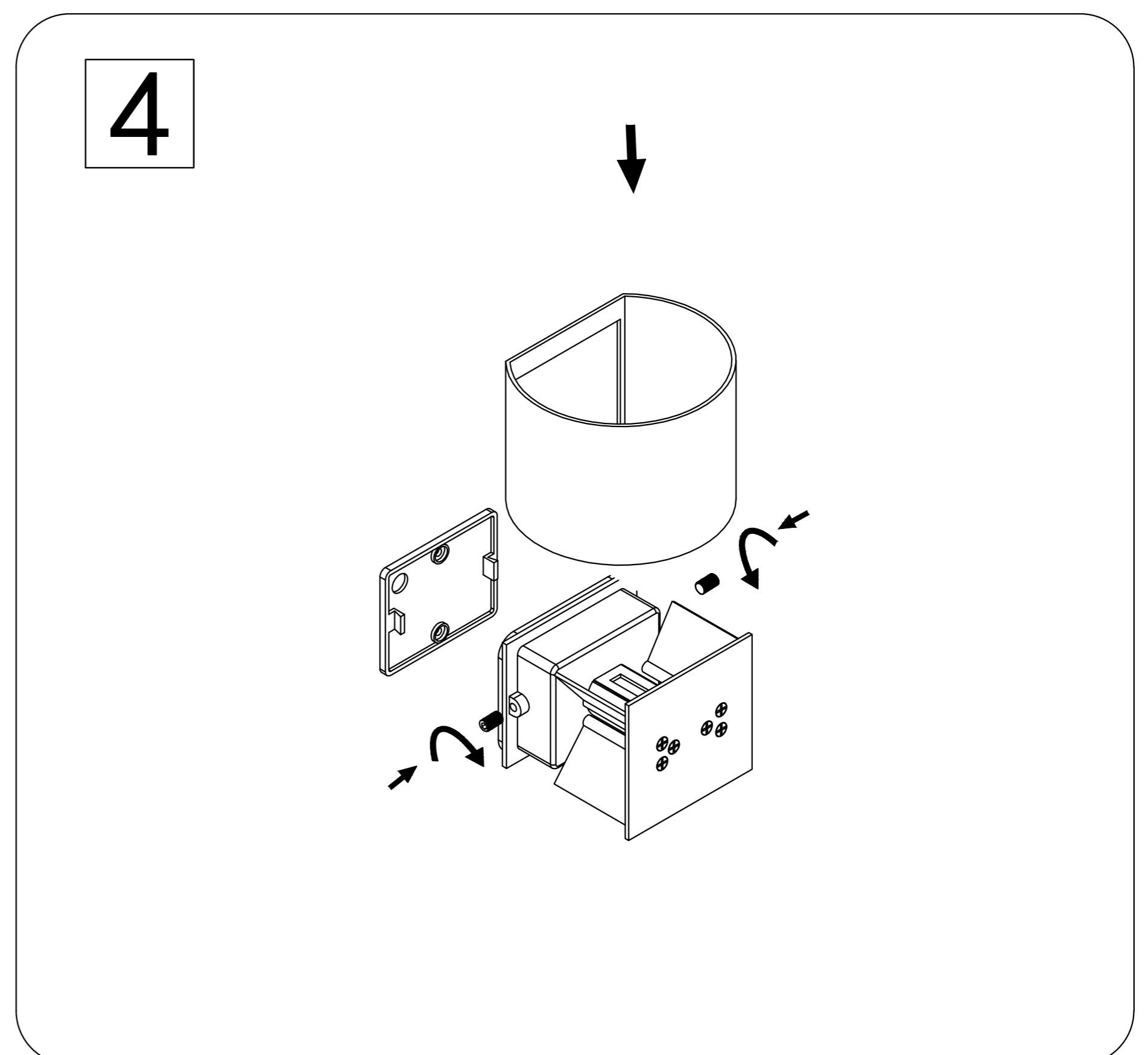
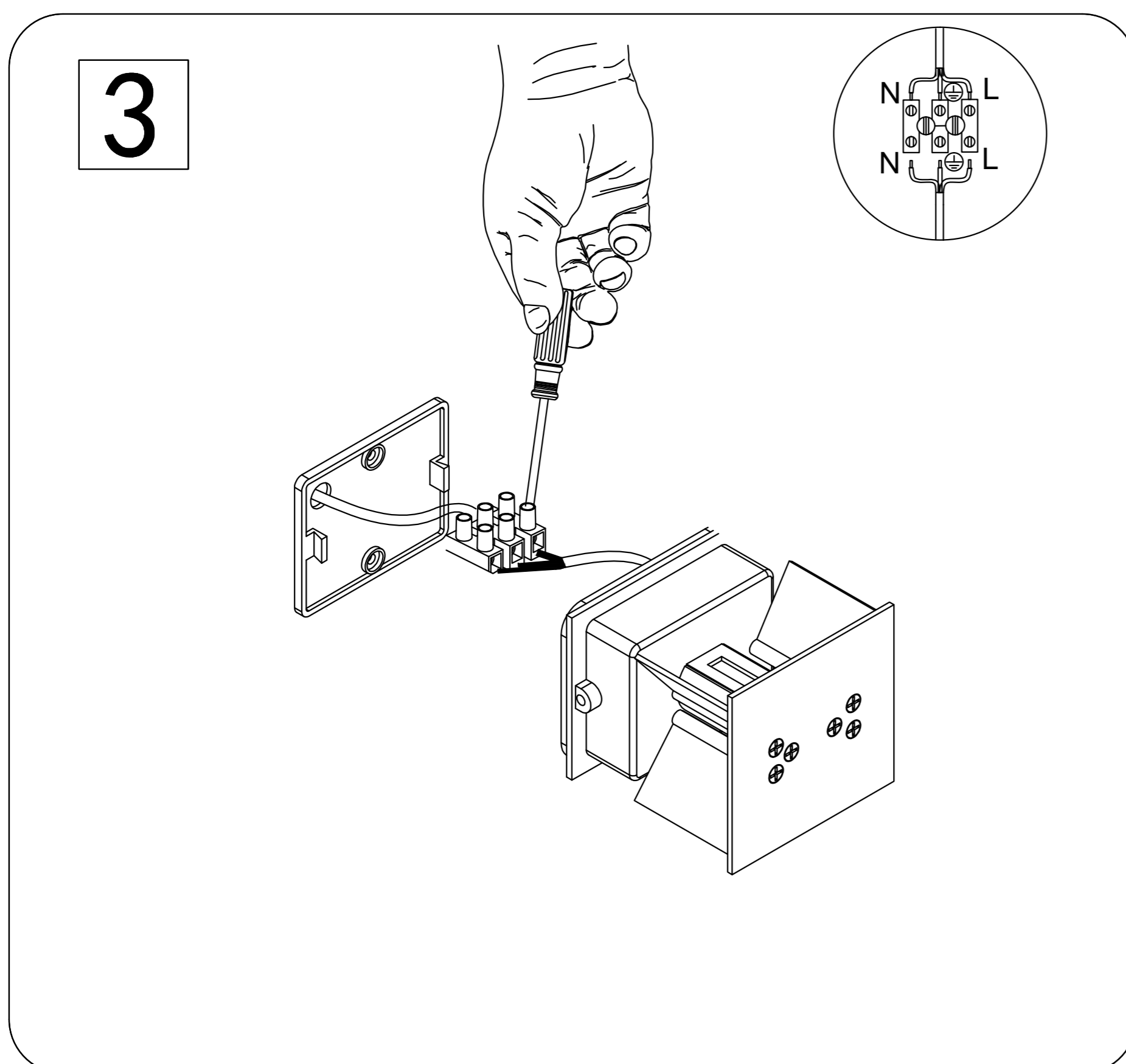
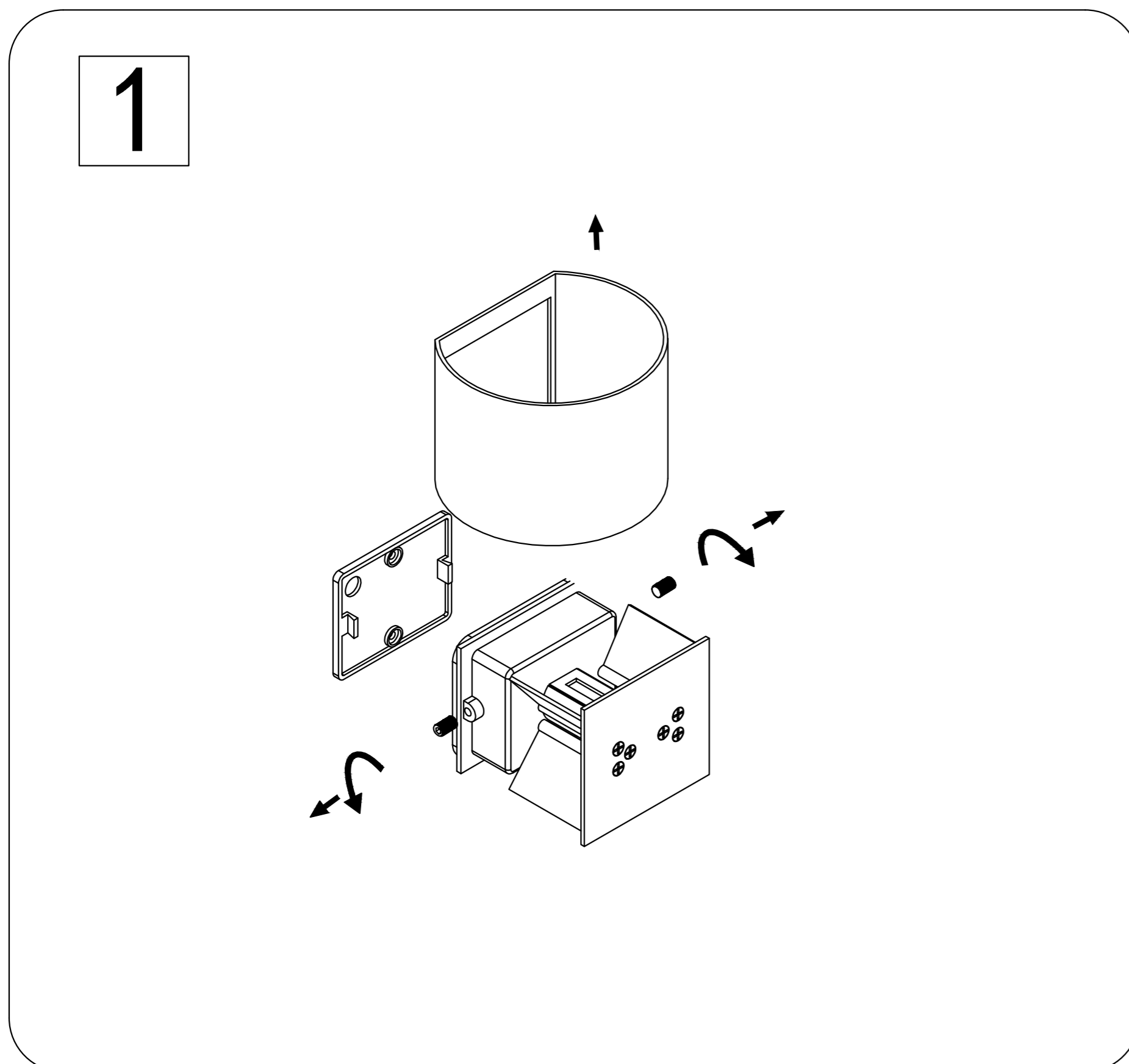


AZ4469/AZ2189/AZ2190

AC220-240V 50/60Hz LED 2*3W IP65



Installation Manual:

1. Turn off the power.
2. Take off screws from the lamp.(Picture 1)
3. Drill holes into the wall and put rubber plugs inside.
4. Fix the lamp with screws. (Picture 2)
5. Connect the L/N/E wire in junction terminal.(picture 3)
6. Fix the lamp on the wall and fix screws onto the lamp.(Picture 4)
7. Turn on the power